



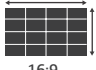
\* All images are for illustrative purposes only.


**LG DVLED Signage** | Indoor


## Ultra Slim LSCB Series


  
Slim  
Ultra Slim Depth

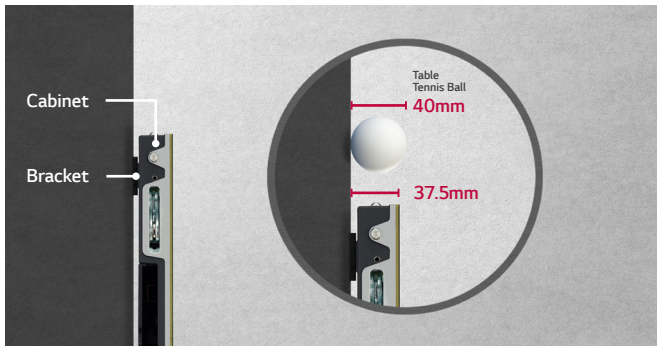
  
Easy & Seamless Installation

  
16:9  
16:9 FHD/UHD Configuration

  
90° Corner Design Available

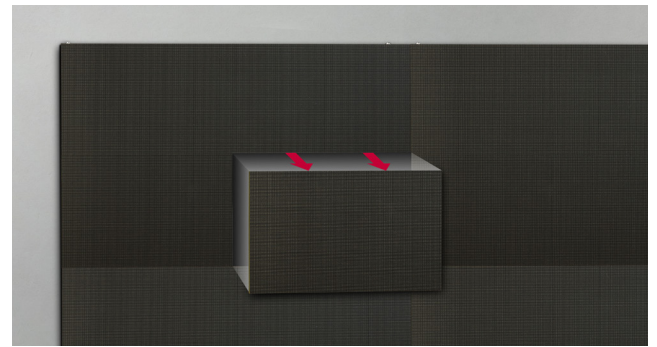
  
EMC Class B Certified

  
Fire Resistant Design



### Ultra Slim Depth

Its ultra-slim design with 37.5 mm edge thickness is the biggest advantage of the LSCB series. This allows the product to be installed in a wide variety of venues, especially where module thickness is a design or space concern.



### Easy & Seamless Installation

The LSCB series can be easily installed and managed from the front side for easy operation. A magnetic tool allows the modules to be attached / detached from the front so that no additional space is needed behind the product for installation or maintenance.



### 16:9 FHD/UHD Configuration

Each cabinet uses a 16:9 aspect ratio, the same most commonly used in displays for FHD and UHD content. This allows you to keep using existing content without additional cost and time for editing.



### 90° Corner Design Available

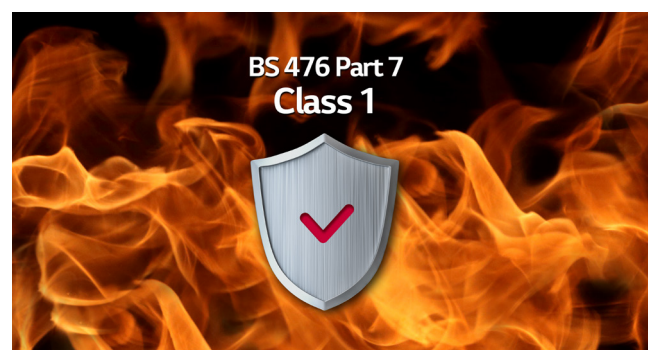
If you add our 90° corner option, the LSCB series fits naturally into the space and delivers beautifully smooth, flawless content without the corner being a distraction to customers.

|     | Class A             | Class B                                       |
|-----|---------------------|-----------------------------------------------|
| USA | <br>Non-residential | <br>Residential                               |
| EU  | <br>Industrial      | <br>Residential, Commercial, Light Industrial |

← Emissions Increase

### EMC Class B Certified

With its Class B certification for electromagnetic compatibility, the LSCB is not only perfect for industrial environments, it passes the even stricter emissions standards for residential areas. Thus EMC rating will not limit where the LSCB can be installed.



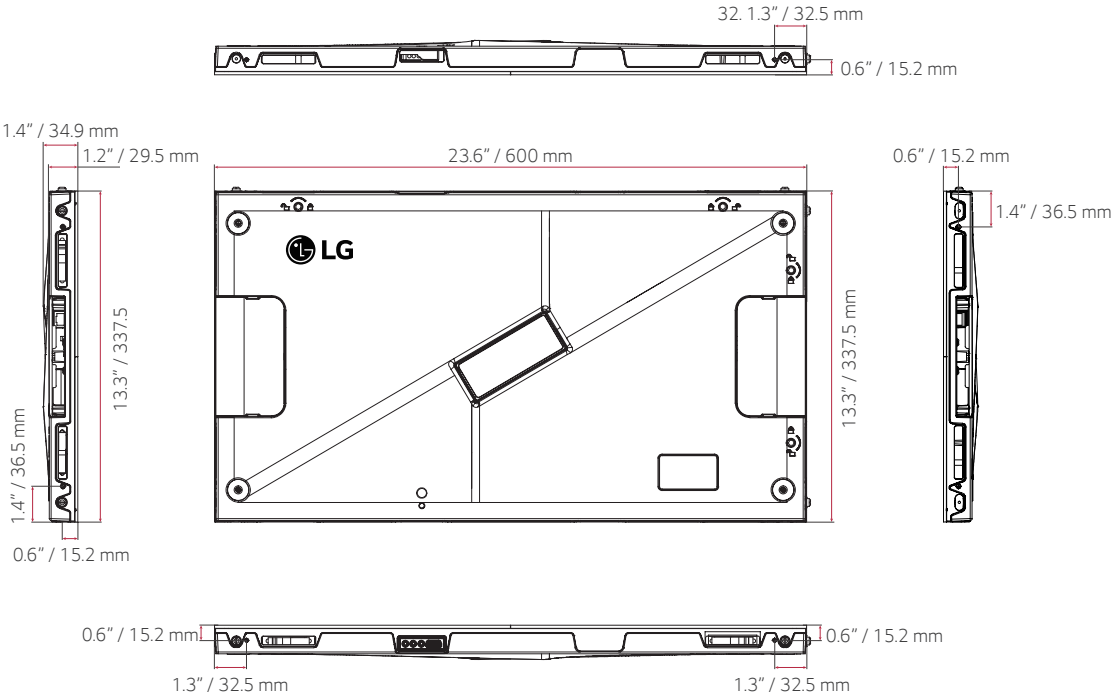
### Fire Resistant Design

The LSCB Class 1 certification for resistance is the highest rating class of its type in the BS 476 standard. This certification shows LG's commitment to safety in the event of a fire emergency.

# PRODUCT IMAGE



# DIMENSIONS



# SPECIFICATIONS

| Panel                     | Marketing Model Name <sup>1)</sup>                            | LSCB015                                                       | LSCB018                                                       | LSCB025                                         |
|---------------------------|---------------------------------------------------------------|---------------------------------------------------------------|---------------------------------------------------------------|-------------------------------------------------|
| Physical Parameters       | Pixel Configuration                                           | 3 in 1 SMD                                                    | 3 in 1 SMD                                                    | 3 in 1 SMD                                      |
|                           | Pixel Pitch (mm)                                              | 1.56                                                          | 1.88                                                          | 2.50                                            |
|                           | Module Resolution (W x H)                                     | 192 x 108                                                     | 160 x 90                                                      | 120 x 135                                       |
|                           | Module Dimensions (W x H)                                     | 300 x 168.75                                                  | 300 x 168.75                                                  | 300 x 337.5                                     |
|                           | Weight per Module                                             | 0.40 W 0.40 W 0.90 W                                          | 0.40 W 0.40 W 0.90 W                                          | 0.40 W 0.40 W 0.90 W                            |
|                           | No. of Modules per Cabinet (W x H)                            | 2 x 2                                                         | 2 x 2                                                         | 2 x 1                                           |
|                           | Cabinet Resolution (W x H)                                    | 384 x 216                                                     | 320 x 180                                                     | 240 x 135                                       |
|                           | Cabinet Dimensions (W x H)                                    | 23.6 x 13.3 x 1.4 in / 600 x 337.5 x 35 mm                    | 23.6 x 13.3 x 1.4 in / 600 x 337.5 x 35 mm                    | 23.6 x 13.3 x 1.4 in / 600 x 337.5 x 35 mm      |
|                           | Cabinet Surface Area                                          | 2.2 ft <sup>2</sup> / .203 m <sup>2</sup>                     | 2.2 ft <sup>2</sup> / .203 m <sup>2</sup>                     | 2.2 ft <sup>2</sup> / .203 m <sup>2</sup>       |
|                           | Weight per Cabinet                                            | 11.6 lbs / 5.2 kg                                             | 11.6 lbs / 5.2 kg                                             | 11.6 lbs / 5.2 kg                               |
|                           | Weight per Square Meter                                       | 25.7 kg/m <sup>2</sup>                                        | 25.7 kg/m <sup>2</sup>                                        | 25.7 kg/m <sup>2</sup>                          |
|                           | Physical Pixel Density                                        | 409,600 pixels/m <sup>2</sup>                                 | 284,444 pixels/m <sup>2</sup>                                 | 160,000 pixels/m <sup>2</sup>                   |
|                           | Flatness of Cabinet                                           | ± 0.1                                                         | ± 0.1                                                         | ± 0.1                                           |
|                           | Cabinet Material                                              | Die Casting Aluminum Alloy                                    | Die Casting Aluminum Alloy                                    | Die Casting Aluminum Alloy                      |
|                           | Service Access                                                | Front                                                         | Front                                                         | Front                                           |
| Optical Specifications    | Max Brightness After Calibration (worst case)                 | 800 nits                                                      | 800 nits                                                      | 800 nits                                        |
|                           | Color Temperature                                             | 6,500                                                         | 6,500                                                         | 6,500                                           |
|                           | Visual Viewing Angle (H x V)                                  | 160° x 160°                                                   | 160° x 160°                                                   | 160° x 160°                                     |
|                           | Brightness Uniformity                                         | 97 %                                                          | 97 %                                                          | 97 %                                            |
|                           | Color Uniformity                                              | ± 0.003 Cx,Cy                                                 | ± 0.003 Cx,Cy                                                 | ± 0.003 Cx,Cy                                   |
|                           | Contrast Ratio                                                | 5000:1                                                        | 5000:1                                                        | 5000:1                                          |
|                           | Processing Depth (bit)                                        | 14                                                            | 14                                                            | 14                                              |
| Electrical Specifications | Max Power Consumption per Cabinet                             | 150 W / 512 BTU                                               | 150 W / 512 BTU                                               | 150 W / 512 BTU                                 |
|                           | Average Power Consumption per Cabinet                         | 50 W / 171 BTU                                                | 50 W / 171 BTU                                                | 50 W / 171 BTU                                  |
|                           | Max Power Consumption                                         | 890 W/m <sup>2</sup> / 3,037 BTU/m <sup>2</sup>               | 890 W/m <sup>2</sup> / 3,037 BTU/m <sup>2</sup>               | 890 W/m <sup>2</sup> / 3,037 BTU/m <sup>2</sup> |
|                           | Power Supply                                                  | 100 to 240 V                                                  | 100 to 240 V                                                  | 100 to 240 V                                    |
|                           | Frame Rate                                                    | 50 / 60 Hz                                                    | 50 / 60 Hz                                                    | 50 / 60 Hz                                      |
|                           | Refresh Rate                                                  | 3,840 Hz                                                      | 3,840 Hz                                                      | 3,840 Hz                                        |
| Operation Specifications  | Lifetime (Duration of Half Brightness in Hrs)                 | 100,000                                                       | 100,000                                                       | 100,000                                         |
|                           | Operating Temperature                                         | 14°F to 113°F / -10°C to 45°C                                 | 14°F to 113°F / -10°C to 45°C                                 | 14°F to 113°F / -10°C to 45°C                   |
|                           | Operating Humidity                                            | 0 - 80 % RH                                                   | 0 - 80 % RH                                                   | 0 - 80 % RH                                     |
|                           | IP Rating Front                                               | IP30                                                          | IP30                                                          | IP30                                            |
|                           | IP Rating Rear                                                | IP30                                                          | IP30                                                          | IP30                                            |
| Certification             | CE, FCC, ETL, EMC Class B, BS 476 Part 7 Class 1, in progress | CE, FCC, ETL, EMC Class B, BS 476 Part 7 Class 1, in progress | CE, FCC, ETL, EMC Class B, BS 476 Part 7 Class 1, in progress |                                                 |
| Environment               | RoHS, REACH in progress                                       | RoHS, REACH in progress                                       | RoHS, REACH in progress                                       |                                                 |

1) As this is a condensed model name for marketing communication, please check full model codes with LG local sales team before ordering.

| Controller |                   | LCIN006                                         | LCIN008 (4K)                                 |
|------------|-------------------|-------------------------------------------------|----------------------------------------------|
| Input      | Interface         | HDMI / DVI                                      | HDMI / DVI / DP                              |
|            | Resolution        | 1,920 x 1,200 @60Hz                             | 3,840 x 2,160 @60Hz                          |
|            | EDID Custom       | Yes                                             | Yes                                          |
| Output     | Signal            | Gigabit Ethernet (4 ea)                         | Gigabit Ethernet (16 ea)                     |
|            | Fiber Optical     | No                                              | 4ea                                          |
| Control    | RJ45              | No                                              | Yes                                          |
|            | USB               | Yes                                             | Yes                                          |
| Electrical | Power Consumption | 16 W                                            | 30 W                                         |
|            | Power Supply      | AC 100 - 240 V                                  | AC 100 - 240 V                               |
| Mechanical | Size (W x D x H)  | 482.6 x 250 x 44.45 mm → EIA Standard Rack (1U) | 482.6 x 372 x 96 mm → EIA Standard Rack (3U) |
|            | Weight            | 2.9 kg                                          | 4.6 kg                                       |
| Feature    | Signal Redundancy | Yes                                             | Yes                                          |
|            | HDR10             | No                                              | Yes                                          |